

# ® SAFETOR ROOF ANCHORS

... when your life is on the line!!

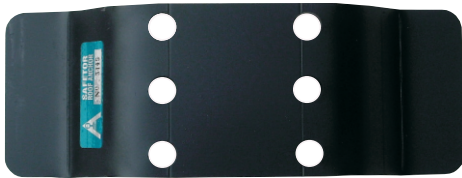
## ANCHOR DEVICE: Safetor SHS-120 Mounting Bracket

This system was first designed for the use on the Waikato Hospital and is also in use on the Wellington Interislander Cook Strait Ferry Terminal Building

### Design

The Safetor SHS -120 Mounting bracket has been designed to be welded to Square Hollow Section (SHS) structural members commonly used on buildings. By bolting the Safetor SE015HP anchor to the Safetor SHS-120 you are able to simply unbolt and replace the anchor if damage occurs due to a fall.

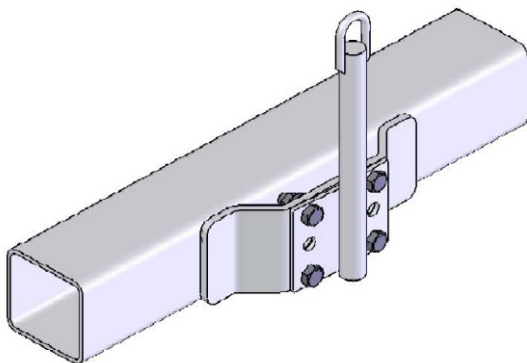
NB: This system can be used for both roof and wall



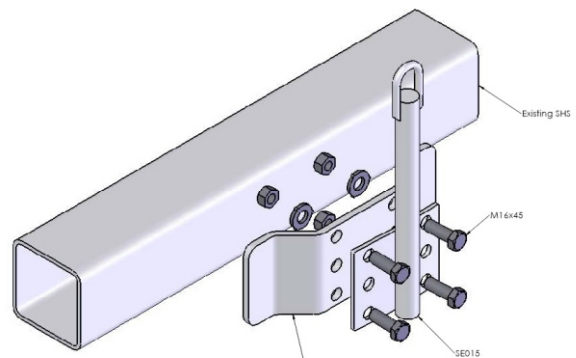
Safetor SHS -120



Safetor SE015HP Anchor bolted to the Safetor SHS -120



Safetor SHS -120 welded to SHS structural member



SHS -120 exploded view

NB:

It is the responsibility of the installer to obtain a PS1 from a IPENZ Structural Engineer before installing any height safety anchor points and upon completion a PS3 or PS4 must be signed off to state the anchor has been installed as per the Ps1.